



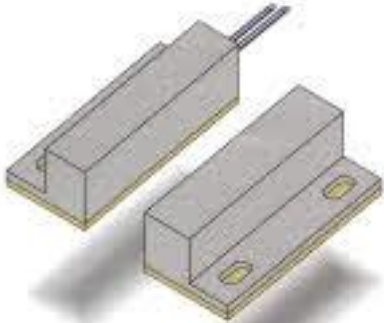
**ALEPH**  
AMERICA CORPORATION®

**DC-1561**

High Quality Magnetic Contact

Hermetically Sealed Switch ♦ Rhodium Over Gold Reeds ♦ High Grade Magnets

## Surface Mount Magnetic Contact



- Mounting Screws Included
- Adhesive Tape Included
- Durable Magnet
- Simple Installation
- Multiple Colors
- Max. Contact Rating,  
28VDC, 0.5A, 10W

SECURITY



EQUIPMENT



10  
Pieces

1"

**WIDE GAP  
CLOSED LOOP**

EN50131-1:2004, TS50131-2-6:2004, PD6662:2004  
Security Grade 2, Environmental Class II

Lifetime Guarantee

**NEW**



**ALEPH**  
AMERICA CORPORATION®

**DC-1561**

**High Quality Magnetic Contact**

Hermetically Sealed Switch ♦ Rhodium Over Gold Reeds ♦ High Grade Magnets

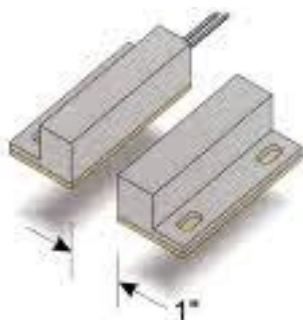
Surface Mount Magnetic Contact



Adhesive tape on back.

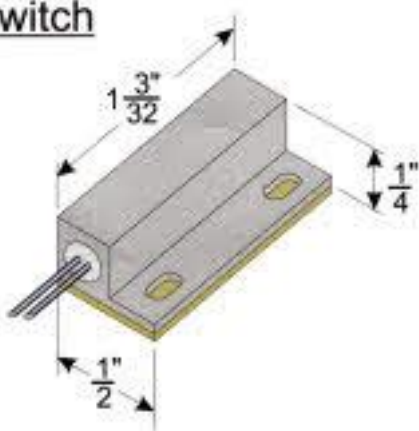
18" Long wire

UL-1061 AWG#22

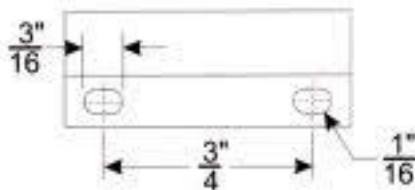
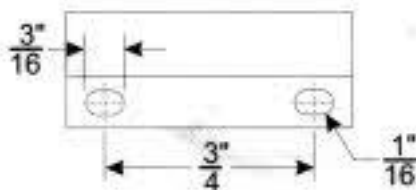
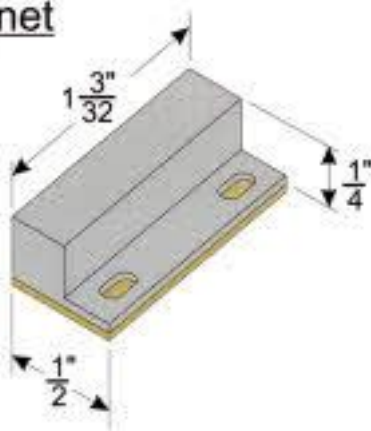


**Dimensions**

Switch



Magnet



Lot : **1301**

**COMPLY WITH RoHS**



Made in China

Aleph America Corporation  
4700 Aircenter Circle Reno, NV 89502  
Tel : (775) 827-8000 Fax : (775) 827-8044  
URL : <http://www.aleph-usa.com/>  
Email : [info@aleph-usa.com](mailto:info@aleph-usa.com)



Recycle Usage